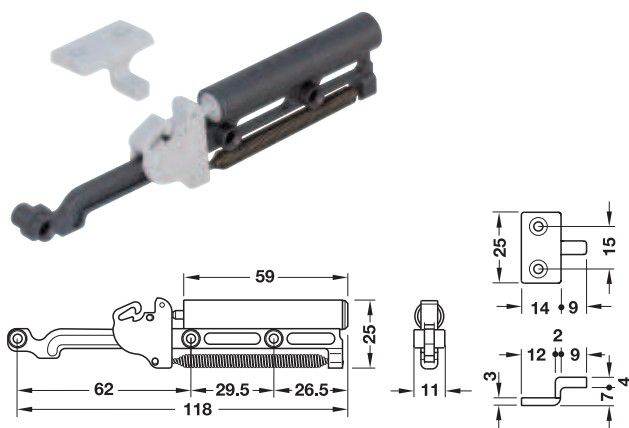
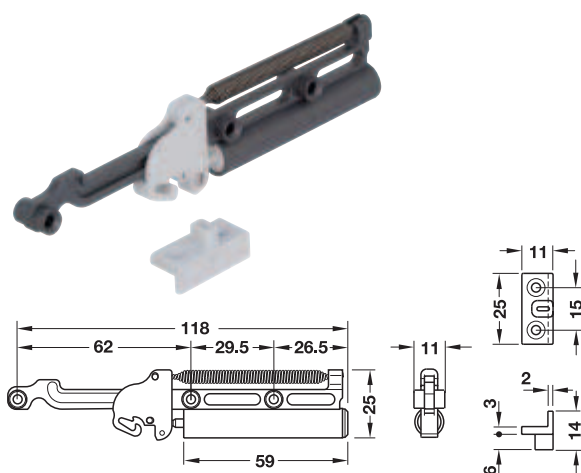


Soft closing mechanism

Can be retrofitted



For roller and ball bearing runners with installation width (gap width S) 12 – 15 mm



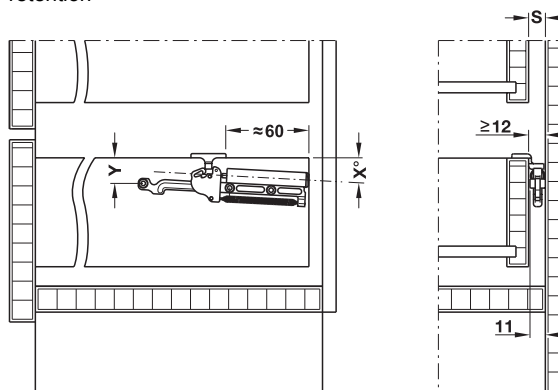
For groove mounted and concealed runners with gap width S 3 – 6 mm

- **Area of application:** Soft close for retrofitting to self closing roller runners with single extension, ball bearing runners without self-closing mechanism and retainer retention, groove mounted and concealed runners
- **Material:** Plastic
- **Colour:** Light grey and black
- **Load bearing capacity:** 10 kg load bearing capacity, with one-sided installation, 20 kg load bearing capacity, with two-sided installation
- **Installation:** On one or both sides, soft closing mechanism for screw fixing to cabinet side panel
follower for screw fixing to drawer side

Installation

On one or both sides

For self closing roller runners with single extension or ball bearing runners without self-closing mechanism and retainer retention



Gap width S = 12 – 15 mm

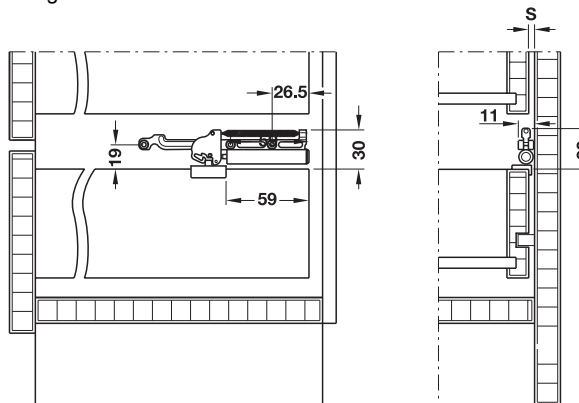
X and Y = depending on the lowering action of the roller runners

Note:

Two sets must be ordered for installation on both sides.

On both sides

For groove mounted and concealed runners



Gap width S = 3 – 6 mm

Supplied with

For roller and ball bearing runners:

- 1 Soft closing mechanism
- 1 Follower, horizontal
- 1 Set of installation instructions

For groove mounted and concealed runners:

- 2 Soft closing mechanisms
- 2 Followers, vertical
- 1 Set of installation instructions

Area of application	Packing	Cat. No.
For groove mounted and concealed runners	1 set	432.13.500
For roller and ball bearing runners	1 piece	432.13.501

Information

► FF 7.7